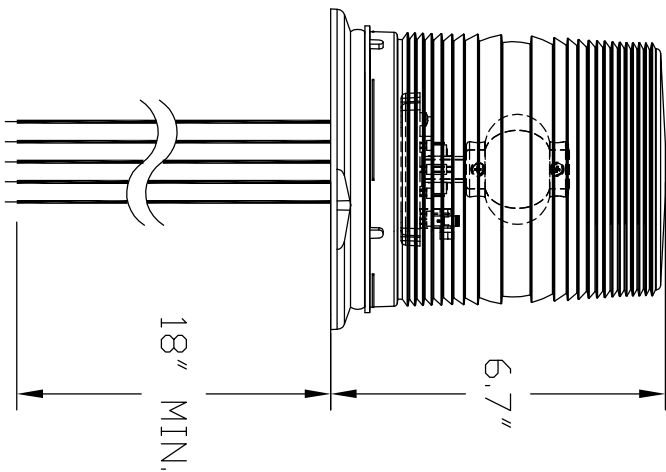


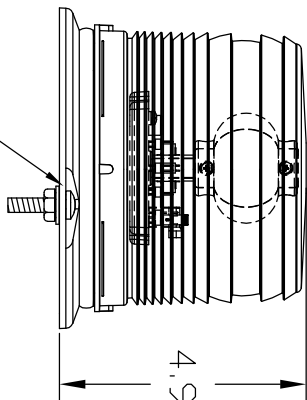
3X Ø0.20
EVENLY SPACED 120°
Ø5.95 BOLT CIRCLE

Ø6.40



6.7"

18" MIN.



4.9"

MOUNTING PAD GASKET & HARDWARE
(PERMANENT MOUNT)

#10 INTERNAL TOOTH LOCK WASHER (SS) (3)
#10-32 X 1" PHILIPS HEAD SCREW (SS) (3)
#10-32 HEX NUT (SS) (3)

18 GA RED WIRE (+12-24V)
18 GA BLACK WIRE (-GROUND)
22 GA GREEN WIRE (PATTERN SELECT)
22 GA WHITE WIRE (SYNCHRONIZATION)
22 GA PURPLE WIRE (HIGH / LOW)

REV.	ECR	DESCRIPTION	DATE
-	8701	INITIAL DRAWING REQUEST	10/20/09
A	11025	UPDATE LED SPEC.	03/04/13

SPECIFICATIONS:

Typical Input Voltage Range: 10-30VDC
 Typical Current Draw (8 LED Module): 12.8VDC=0.54A / 25.6VDC=0.27A
 Typical Current Draw (4 LED Module): 12.8VDC=0.42A / 25.6VDC=0.21A
 Typical Light Output (4 pcAmber LED Module): 468 lm(pk)
 Typical Light Output (4 Blue LED Module): 209 lm(pk)
 Typical Light Output (4 Red LED Module): 241 lm(pk)
 Typical Light Output (4 Cool White LED Module): 936 lm(pk)
 Typical Light Output (4 Warm White LED Module): 771 lm(pk)
 Typical Light Output (8 Warm White LED Module): 880 lm(pk)
 Typical Light Output (8 Cool White LED Module): 1068 lm(pk)
 Lumen maintenance: 85% lumen after 100,000 hours of operation
 Operating Temperature Range: -40C to 55C
 Connections: 18 inch (min.) wires exiting the unit.
 Permanent Mounting Type 1: 3 Hole Pattern 5-61/64" BC
 Permanent Mounting Type 2: 1 inch NPT
 Dimensions (Short Dome): 4-3/4" tall x 6-13/32" dia.
 (Tall Dome): 6-11/16" tall x 6-13/32" dia.
 Materials: Outer Dome: Polycarbonate
 Inner Optics: Polycarbonate
 Base: Polycarbonate
 Heatsink Materials: Aluminum
 Mounting Gasket: EPDM Foam Rubber

Model Numbers / Descriptions

Classifications for Amber Visual Warning Devices:
 255H8TCLV-A: SAE Class I, California Title 13, Ultra High Intensity LEDs, vacuum magnetic mount, 8 Warm White LEDs, tall Amber lens w/Dust Cover.
 255H8TAL-A: SAE Class I, California Title 13, Ultra High Intensity LEDs, flange mount, 8 Warm White LEDs, tall Amber lens w/Dust Cover.
 255H8TCLV-A: SAE Class I, Ultra High Intensity LEDs, vacuum magnetic mount, 8 Warm White LEDs, tall Amber lens.
 255H8TCL-A: SAE Class I, Ultra High Intensity LEDs, flange mount, 8 Warm White LEDs, tall Amber lens.
 255H8TSLV-A: SAE Class I, High Intensity LEDs, vacuum magnetic mount, 8 Warm White LEDs, short Amber lens.
 255HTCLV-A: SAE Class I, High Intensity LEDs, vacuum magnetic mount, 4 Warm White LEDs, tall Amber lens.
 255HTCL-A: SAE Class I, High Intensity LEDs, flange mount, 4 Warm White LEDs, tall Amber lens.
 255HTSLV-A: SAE Class I, High Intensity LEDs, vacuum magnetic mount, Warm White LEDs, short Amber lens.
 255HTSL-A: SAE Class I, High Intensity LEDs, flange mount, Warm White LEDs, short Amber lens.

Classifications for Blue Visual Warning Devices:
 255HTCL-BC: SAE Class I, High Intensity LEDs, flange mount, 4 Blue LEDs, Tall Clear lens.

Note 1: All specifications based on Quad Flash Pattern.
 Note 2: All Light output specifications are of the internal light module acting alone.

UNLESS OTHERWISE SPECIFIED		DRAWN BY: MD		DRAWING APPROVED BY ECR	
DIMENSIONS ARE IN INCHES					
TOLERANCES:					
ANGULAR: ± 2 DEG.					
± X 100					
± XX 120					
± XXX .005					
± XXXX .001					
ROHS COMPLIANT: No		THE INFORMATION CONTAINED IN THIS DRAWING IS THE SOLE PROPERTY OF STAR HEADLIGHT & LANTERN CO., INC. ANY REPRODUCTION IN PART OR AS A WHOLE WITHOUT THE WRITTEN PERMISSION OF STAR HEADLIGHT & LANTERN CO., INC. IS STRICTLY PROHIBITED.			
MATERIAL: N/A		STAR HEADLIGHT & LANTERN CO., INC. 455 Rochester St. Avon NY 14414 Ph:(585) 226-9500 Fax: (585) 226-2029		DWG. NO.	
FINISH: N/A		MODEL: 255HT AND 255H8T MODELS		REV	
		TITLE: 255 LED SERIES MODEL DRAWING		A	
SCALE: 1:2		DD NOT SCALE FROM DRAWING		SHEET 1 OF 1	